



# GREYSTONE ENERGY SYSTEMS INC

## S/S SURFACE TEMPERATURE TRANSMITTER TE500AS Series

The TE500AS series is an low profile, single gang, stainless steel plate that incorporates a precision platinum RTD and a transmitter that provides a high accuracy signal with excellent long-term stability, low hysteresis and fast response for measurement of room temperatures.

### SPECIFICATION:

Sensor.....	100 ohm Platinum RTD or 1000 ohm Platinum RTD
Sensor Accuracy .....	±0.3°C (±0.54°F) @ 0°C (32°F)
Output Signal .....	4-20mA current loop, 0-5 vdc, or 0-10 Vdc (factory configured)
Transmitter Accuracy .....	±0.1% of span, including linearity
4-20 mA loop power Supply ...	15-35 Vdc or 22-32 Vac
Minimum Current Loop .....	2 mA nominal (occurs with shorted sensor)
Maximum loop Current .....	22.5 mA nominal (occurs with open sensor)
Maximum Loop Load .....	>600 ohms
0-5 Vdc Power Supply .....	10-35 vdc or 10-32 Vac
0-10 Vdc Power Supply .....	15-35 Vdc or 15-32 Vac
Maximum Current (Voltage) ...	5 mA nominal
Maximum Output (Voltage) ...	limited to <5.5 Vdc for 0-5 Vdc, <10.5 for 0-10 vdc
Input Voltage Effect .....	Negligible over specified operating range
RFI rejection .....	Good RFI rejection of normal frequencies
Protection Circuitry .....	Reverse voltage protected and output limited
Operating Conditions .....	0 - 70°C (32 - 158°F), 0-95% RH non-condensing
Enclosure .....	Stainless Steel - IP30 (NEMA 1)
Wiring Connections .....	Screw terminal block (14 to 22 AWG)



### PART NUMBER SELECTED

### PRODUCT SELECTION INFORMATION:

MODEL	Product Description
TE500AS	S/S Surface Temperature Transmitter

CODE	Sensor
2	100 Ω Platinum, IEC 751, 385 Alpha, thin film
12	1000 Ω Platinum, IEC 751, 385 Alpha, thin film <b>(Standard)</b>

CODE	Transmitter Output Signal
1A	Current 4-20 mA
1D	Voltage 0-5 Vdc
1E	Voltage 0-10 Vdc

CODE	Transmitter Ranges
1	0° - 35°C (32° - 95°F)
2	0° - 50°C (32° - 122°F)
*	Custom range, please contact Greystone

CODE	Options
TP	Tamperproof Screws

TE500AS 12 1A 2 -

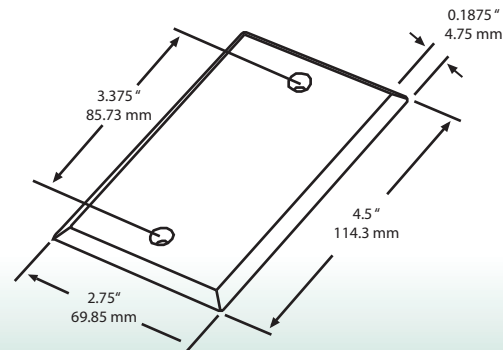
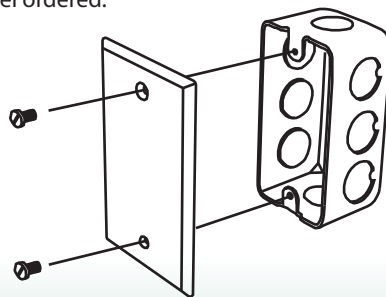
Greystone Energy Systems, Inc. reserves the right to make design modifications without prior notice.

### TYPICAL INSTALLATION:

For complete installation and wiring details, please refer to the product installation instructions.

The TE500AS series can be mounted directly to a single gang electrical box or directly to a wall. Insulating foam is adhered to the back of the enclosure to provide a thermal barrier from internal wall temperatures.

The sensor is either a 2 wire or 3 wire connections to the Building Automation System depending on the output model ordered.



Greystone Energy Systems, Inc.  
150 English Drive, Moncton, NB  
Canada E1E 4G7

(506) 853-3057 Fax: (506) 853-6014  
North America: 1-800-561-5611  
e-mail: mail@greystoneenergy.com  
www.greystoneenergy.com

**RoHS**  
COMPLIANT

